

DATA SHEET

ARUBA OUTDOOR MIMO ANTENNA

ANT-3x3-D100

ANT-3x3-D100 is a multi polarized antenna with 90° H x 90° V beamwidths. This antenna is well suited for 2.4 and 5 GHz sector coverage for access.

FREQUENCY/MIN GAIN

- 4.9-6.0 GHz/5 dBi min
- 2.4-2.5 GHz/5 dBi min

DIMENSIONS

- 200 x 200 x 33 mm (7.9 x 7.9 x 1.25 inches)

POLARIZATION

- V, and slant +/- 45°

WEIGHT (WITHOUT BRACKET)

- 0.8 kg (1.76 lbs)

BEAMWIDTH

- Horizontal plane: 100°
- Vertical plane: 90°

HOUSING

- Housing: Aluminum
- Radome: Plastic

IMPEDANCE

- 50 ohms

CONNECTORS

- N-type female x3

MAXIMUM INPUT POWER

- 20 watts

OPERATING TEMPERATURE

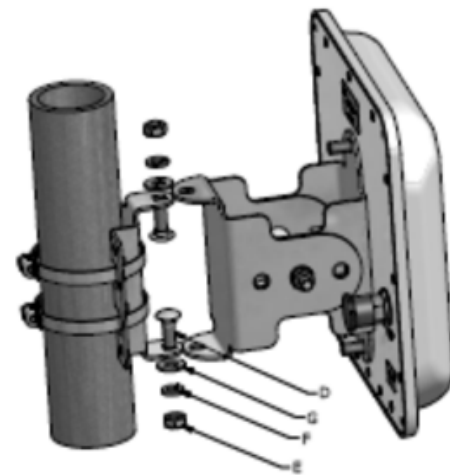
- -45°C to +70°C

VSWR

- 2:1 max

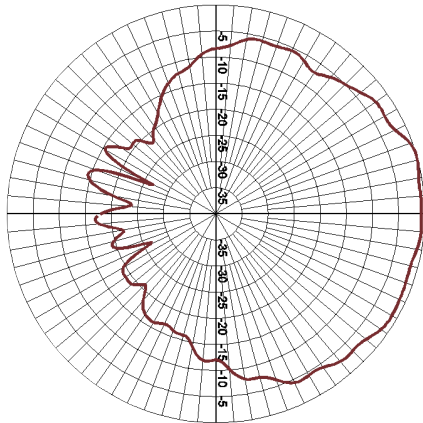
INSTALLATION HARDWARE

- Mount kit for wall and pole included

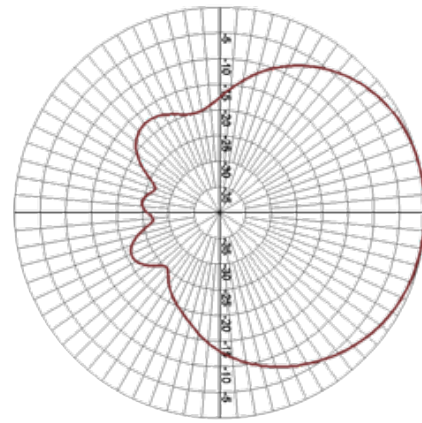


ANTENNA PATTERN PLOTS

Vertical pattern

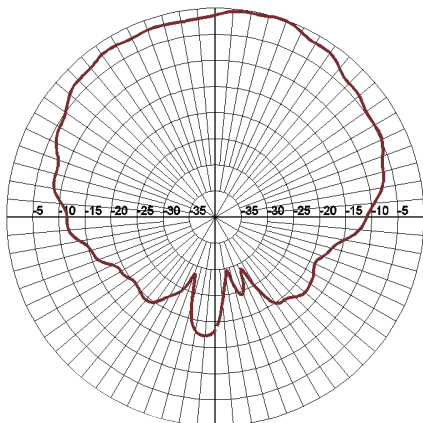


5 GHz

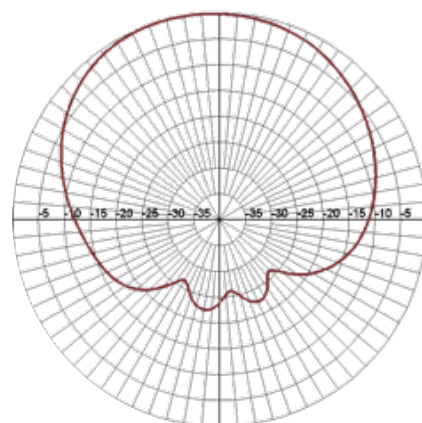


2.4 GHz

Horizontal pattern



5 GHz



2.4 GHz